

LED CFL Types



Aamsco can provide a Corncob LED with Medium, 2-pin and 4-pin bases. These self-ballasted LEDs can be used in place of CFL lamps; simply bypass the existing ballast when installing.

Main Features:

- Fast turn on; no warm-up or cold start problems
- Estimated life hours: > 50,000
- Sturdy PCB housing
- 80% more energy saving compared with conventional CFLs and incandescent lamps
- >85 CRI with great directionality
- 100 lumens per watt
- Universal burning positions

Specifications:

- Operating voltage: 100-277V
- Frequency range: 50-60hz
- Color Temperatures: WW3000-3500K, CW4000-4500K, D6000-6500K
- Integrated Heat-Sink Design
- 2 year warranty
- Not for use on a dimmer or remote controls
- For use in open or enclosed fixtures***

****In enclosed fixtures, ensure the lamp has enough space for heat dissipation. This will ensure lumen maintenance and extend its working life. When products are used in outdoor fixtures, ensure the space is waterproof and well ventilated. If there is a ballast in the existing fixture, simply disconnect or bypass when installing Corncob LED retrofit lamps.*

Commercial – Hospitality – Retail – Residential – Custom

AAMSCO LIGHTING, INC.

100 Lamp Light Circle | Summerville, SC 29483

Phone 843-278-0000 | Fax 843-278-0001 | www.aamsco.com



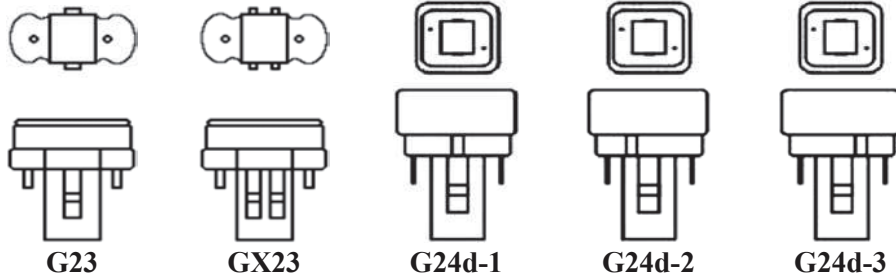


Commercial – Hospitality – Retail – Residential – Custom

AAMSCO LIGHTING, INC.

100 Lamp Light Circle | Summerville, SC 29483
 Phone 843-278-0000 | Fax 843-278-0001 | www.aamsco.com

Corncob CFL-4U



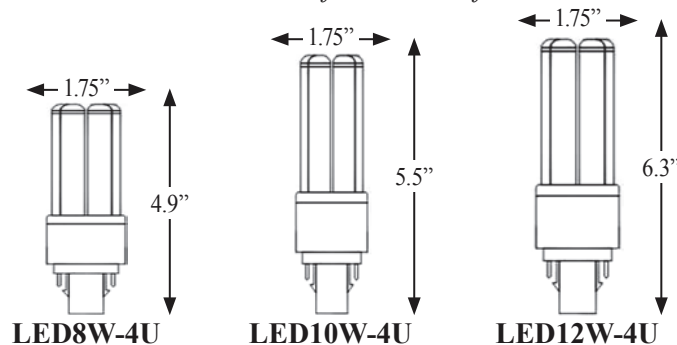
MODEL	LED8W-4U	LED10W-4U	LED12W-4U
Wattage	8W	10W	12W
Beam Angle	360 Degree	360 Degree	360 Degree
Light Source Count	40 LEDs	50 LEDs	60 LEDs
Lamp Base	Medium (MD) 2PIN (G23, GX23, G24d)	Medium (MD) 2PIN (G23, GX23, G24d)	Medium (MD) 2PIN (G23, GX23, G24d)
Luminous Flux	680lm	850lm	1020lm
Color Temperature	WW 3000-3500K CW 4000-4500K D 6000-6500K	WW 3000-3500K CW 4000-4500K D 6000-6500K	WW 3000-3500K CW 4000-4500K D 6000-6500K
Input Voltage	100-240V	100-240V	100-240V
Life Hours	50,000	50,000	50,000
Dimensions	1.75" x 4.9"	1.75" x 5.5"	1.75" x 6.3"

ORDERING NUMBER CONFIGURATION:

LED(WATTS)(COLOR TEMP)-4U-(BASE)

Example: LED8W 3000-3500K Medium Base=LED8WW-4U-MD

Not recommended for enclosed fixtures





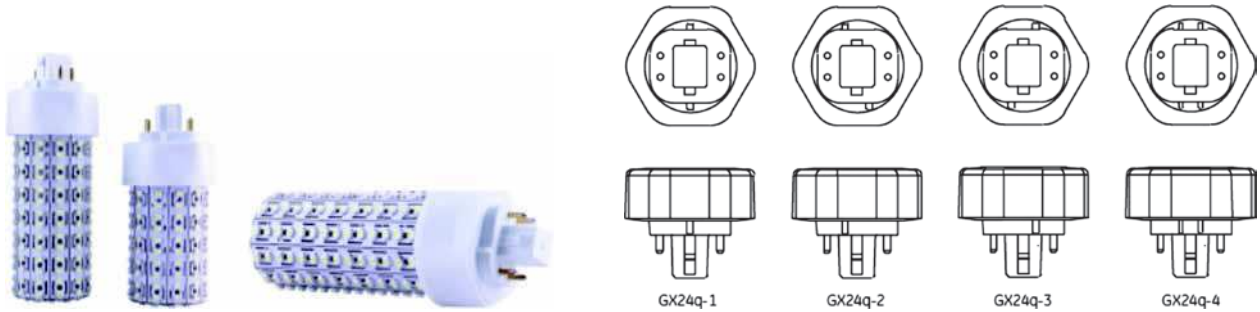
Commercial – Hospitality – Retail – Residential – Custom

AAMSCO LIGHTING, INC.

100 Lamp Light Circle | Summerville, SC 29483
 Phone 843-278-0000 | Fax 843-278-0001 | www.aamsco.com

LED-GX24Q

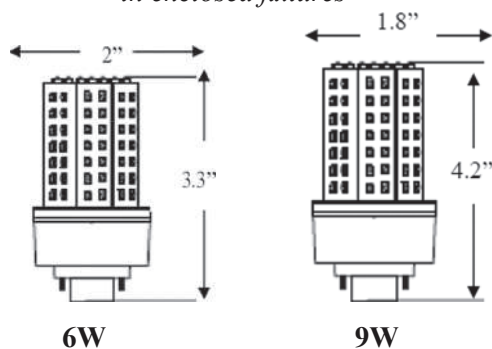
Aamsco can provide a Corncob LED with GX24Q base to take the place of a 4 pin CFL. These self-ballasted LEDs can be used in place of CFL lamps; simply bypass the existing ballast when installing.



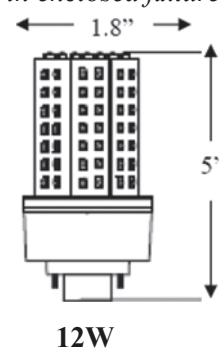
MODEL	LED6W-GX24Q	LED9W-GX24Q	LED12W-GX24Q
Wattage	6W	9W	12W
Beam Angle	360 Degree	360 Degree	360 Degree
Light Source Count	133 LEDs	140 LEDs	189 LEDs
Lamp Base	GX24Q	GX24Q	GX24Q
Power Consumption	8W +/-10%	10W +/-10%	13W +/-10%
Luminous Flux	720lm	900lm	1200lm
Color Temperature	WW 3000-3500K CW 4000-4500K D 6000-6500K	WW 3000-3500K CW 4000-4500K D 6000-6500K	WW 3000-3500K CW 4000-4500K D 6000-6500K
Input Voltage	100-277V	100-277V	100-277V
Life Hours	50,000	50,000	50,000
Dimensions	2" x 3.3"	1.8" x 4.2"	1.8" x 5"

ORDERING NUMBER CONFIGURATION:
 LED(WATTS)(COLOR TEMP)-GX24Q
 Example: LED12W 3000-3500K=LED12WW-GX24Q

*Recommended minimum 6" diameter spacing
 in enclosed fixtures*



*Recommended minimum 8" diameter spacing
 in enclosed fixtures*



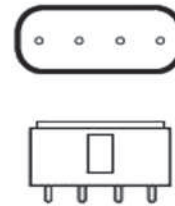


Commercial – Hospitality – Retail – Residential – Custom

AAMSCO LIGHTING, INC.

100 Lamp Light Circle | Summerville, SC 29483
 Phone 843-278-0000 | Fax 843-278-0001 | www.aamsco.com

Corncob CFL 2G11



MODEL	LED12W-2G11	LED15W-2G11	LED18W-2G11	LED24W-2G11
Wattage	12W	15W	18W	24W
Beam Angle	180 Degree	180 Degree	180 Degree	180 Degree
Light Source Count	60 LEDs	72 LEDs	96 LEDs	120 LEDs
Lamp Base	2G11	2G11	2G11	2G11
Luminous Flux	1080lm	1350lm	1620lm	2160lm
Color Temperature	WW 3000-3500K CW 4000-4500K D 6000-6500K	WW 3000-3500K CW 4000-4500K D 6000-6500K	WW 3000-3500K CW 4000-4500K D 6000-6500K	WW 3000-3500K CW 4000-4500K D 6000-6500K
Input Voltage	100-277V	100-277V	100-277V	100-277V
Life Hours	50,000	50,000	50,000	50,000
Dimensions	1.65" x 12.95"	1.65" x 16.50"	1.65" x 21.45"	1.65" x 21.45"

ORDERING NUMBER CONFIGURATION:

LED(WATTS)(COLOR TEMP)-2G11

Example: LED18W 3000-3500K=LED18WW-2G11

Not recommended for enclosed fixtures

