

MIRROR-LUX[®] 6002 NEW GENERATION



Introducing the MIRROR-LUX[®] 6002 - New Generation - the newest version of AAMSCO LIGHTING'S collection of energy saving bath and vanity luminaires. The MIRROR-LUX[®] 6002 - New Generation - replaces our original 6002 with easier relamping and more efficient HE type T-5 fluorescent lamps.

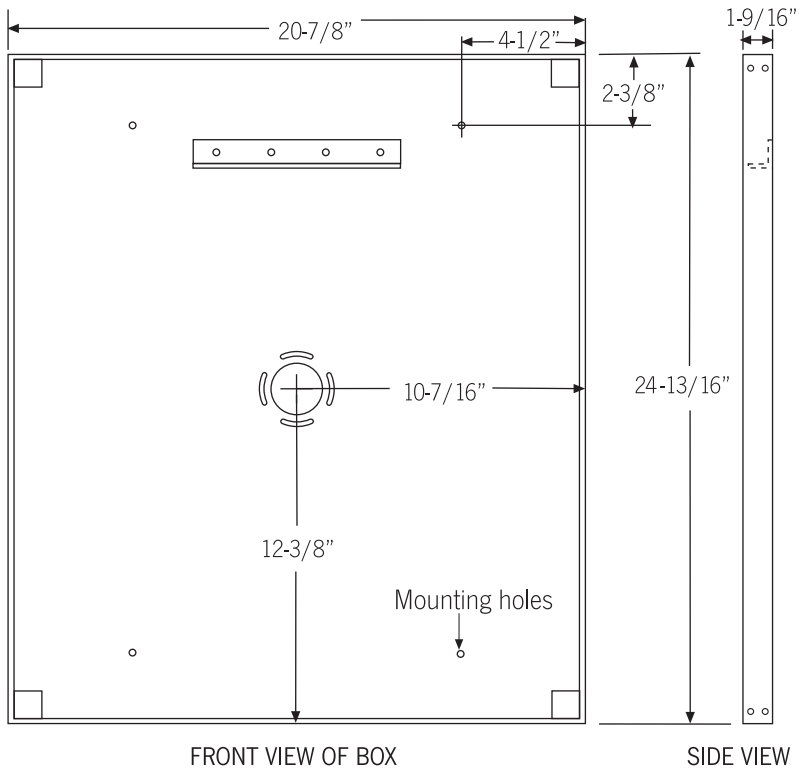
AAMSCO LIGHTING, INC.

100 Lamp Light Circle • Summerville, SC 29483
Toll Free: 1-800-221-9092 • Fax: 843-278-0001
www.aamsco.com



MIRROR-LUX[®] 6002

NEW GENERATION



TECHNICAL AND ORDERING DATA

Standard Specifications

- **Voltage:** 120 (220 available, consult factory)
 - **Ballast:** Electronic high power factor
 - **2-Lamp and 4-lamp versions available** (only 2 lamps operate at a time). On 4-Lamp version, you have a choice of 2 available Kelvin temps.
 - **Mounting:** Mounting holes (four) provided for mounting to mechanically sound surface.
 - Recessed mounting kit offered as an available option.
 - **ETL Listed** for damp locations.
 - **ADA:** Conforms to the regulations of all the Americans with Disabilities Act.
- * For custom shapes and sizes, please consult factory.

Catalog

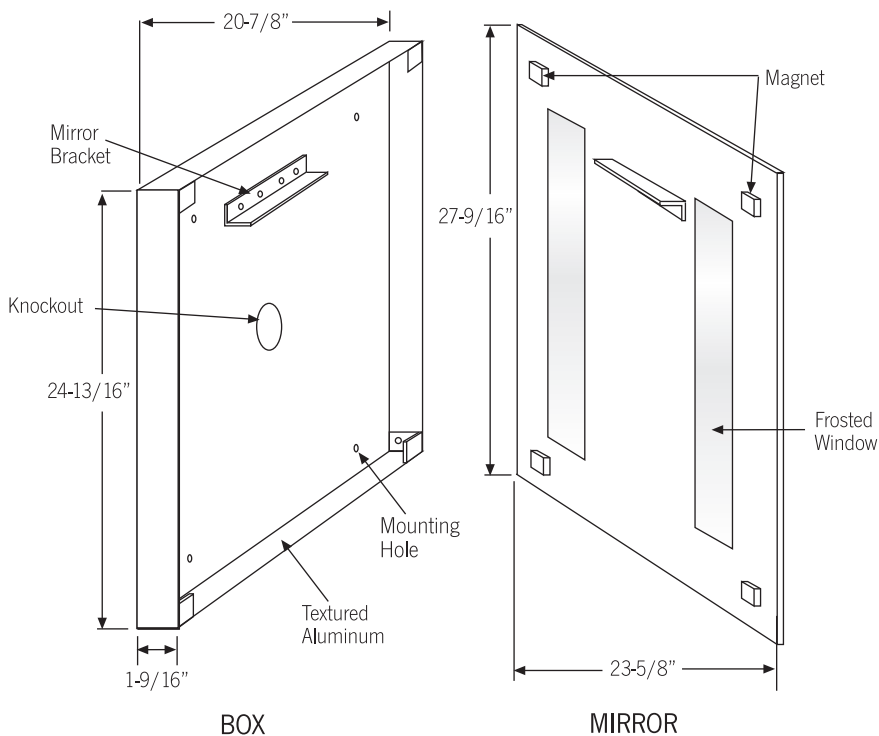
MIRROR-LUX 6002 New Generation

Lamp Type

F14T5

Available Kelvin Temps

2700, 3000, 4000, 5350, 6500



AAMSCO LIGHTING, INC.

100 Lamp Light Circle • Summerville, SC 29483
Toll Free: 1-800-221-9092 • Fax: 843-278-0001 • www.aamsco.com