

# ARCHITECTURA

LED

## LED WALL SCONCE



W3A0071



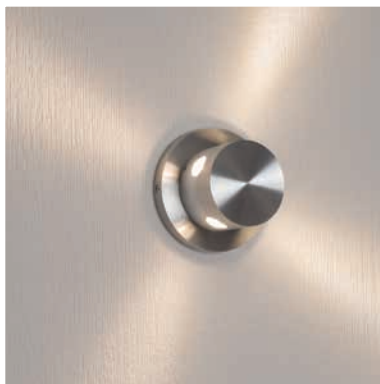
W3A0028



W3A0073



W3A0003



W3A0006



W3A0004



W3A0118



W3A0124



W3A0105

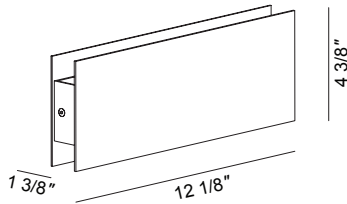
COMMERCIAL | HOSPITALITY | RETAIL | RESIDENTIAL | CUSTOM

**AAMSCO LIGHTING, INC.**

100 Lamp Light Circle • Summerville, SC 29483  
1-800-221-9092 • Fax 843-278-0001 • [www.aamsco.com](http://www.aamsco.com)

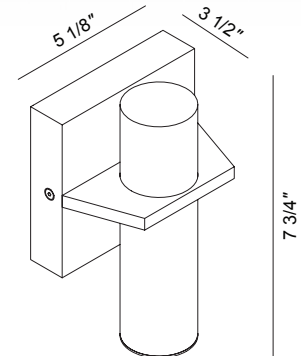


# ARCHITECTURAL LED



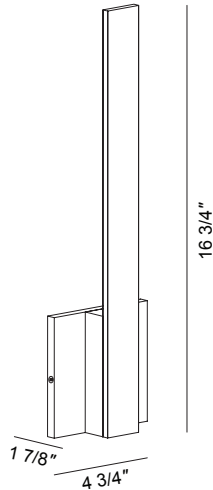
**Electrical Specifications:**

Volts: 120V  
 Watts: 7W High Power LED  
 Lumens: 680lm  
 Color Temperature: 3000K, 85CRI  
 Finish: White Powder Coat  
**Ordering Code: W3A0071WH**



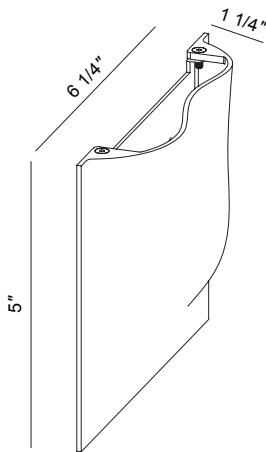
**Electrical Specifications:**

Volts: 120V  
 Watts: 3W High Power LED  
 Lumens: 150lm  
 Color Temperature: 3000K, 85CRI  
 Finish: Brushed Silver  
**Ordering Code: W3A0003S**



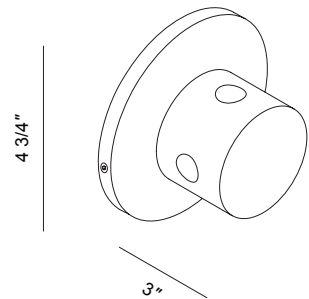
**Electrical Specifications:**

Volts: 120V  
 Watts: 3.8W High Power LED  
 Lumens: 340lm  
 Color Temperature: 3000K, 85CRI  
 Finish: White Powder Coat  
**Ordering Code: W3A0073WH**



**Electrical Specifications:**

Volts: 120V  
 Watts: 2W High Power LED  
 Lumens: 90lm  
 Color Temperature: 3000K, 85CRI  
 Finish: White Powder Coat  
**Ordering Code: W3A0028WH**



**Electrical Specifications:**

Volts: 120V  
 Watts: 4x1W High Power LEDs  
 Lumens: 340lm  
 Color Temperature: 3000K, 85CRI  
 Finish: Brushed Silver  
**Ordering Code: W3A0006S**

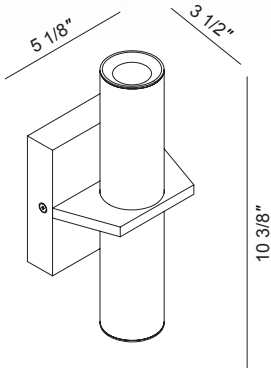
COMMERCIAL | HOSPITALITY | RETAIL | RESIDENTIAL | CUSTOM

**AAMSCO LIGHTING, INC.**

100 Lamp Light Circle • Summerville, SC 29483  
 1-800-221-9092 • Fax 843-278-0001 • [www.aamsco.com](http://www.aamsco.com)

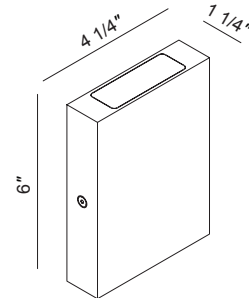


# ARCHITECTURA LED



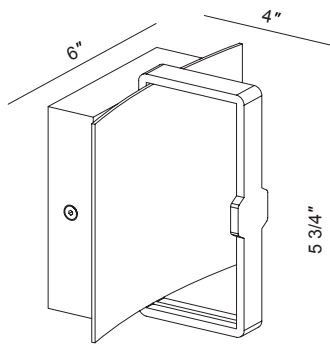
**Electrical Specifications:**

Volts: 120V  
 Watts: 2x3W High Power LEDs  
 Lumens: 300lm  
 Color Temperature: 3000K, 85CRI  
 Finish: Brushed Silver  
**Ordering Code: W3A0004S**



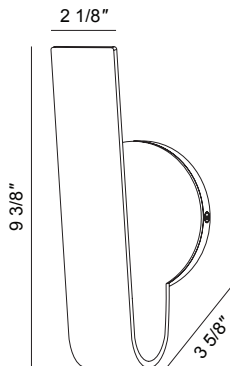
**Electrical Specifications:**

Volts: 120V  
 Watts: 2x3W High Power LEDs  
 Lumens: 500lm  
 Color Temperature: 3000K, 85CRI  
 Finish: White Powder Coat  
**Ordering Code: W3A0105WH**



**Electrical Specifications:**

Volts: 120V  
 Watts: 3W High Power LED  
 Lumens: 315lm  
 Color Temperature: 3000K, 85CRI  
 Finish: White Powder Coat  
**Ordering Code: W3A0124WH**



**Electrical Specifications:**

Volts: 120V  
 Watts: 3W High Power LED  
 Lumens: 315lm  
 Color Temperature: 3000K, 85CRI  
 Finish: White Powder Coat  
**Ordering Code: W3A0118WH**

- \*All ArchitecturaLED wall sconces are made of extruded aluminum and are ETL listed and ADA compliant.
- \*Other finishes and color temperatures are available. Minimum quantities required. Consult factory.
- \*Surface mount, indoor only
- \*Drawings not to scale.

COMMERCIAL | HOSPITALITY | RETAIL | RESIDENTIAL | CUSTOM

**AAMSCO LIGHTING, INC.**

100 Lamp Light Circle • Summerville, SC 29483  
 1-800-221-9092 • Fax 843-278-0001 • [www.aamsco.com](http://www.aamsco.com)



# ARCHITECTURA

LED

## LED WALL SCONCE

**Aamsco Lighting** proudly provides the most cutting edge lighting solutions available. Our products epitomize class and sophistication. Each of the luminaires we supply have been designed to highlight the architectural beauty of every area they are featured in and deliver first class functionality that cannot be matched by any other type of luminaire on the market. Our main objective is to provide you with outstanding quality lighting that will accentuate the uniqueness of any area.

The **ArchitecturaLED** series of wall sconces are contemporary accent lights that will bring out the architectural character of any location. The series boasts a design that integrates high performance LED technology with a modern style wall sconce suitable for commercial and hospitality applications.

If you are looking for excellent quality LED wall sconces, Aamsco Lighting's outstanding **ArchitecturaLED** series can help you improve the appearance of your next project. We can provide you with innovative lighting solutions.

SIMPLE      ELEGANT      EFFICIENT

COMMERCIAL | HOSPITALITY | RETAIL | RESIDENTIAL | CUSTOM

### AAMSCO LIGHTING, INC.

100 Lamp Light Circle • Summerville, SC 29483  
1-800-221-9092 • Fax 843-278-0001 • [www.aamsco.com](http://www.aamsco.com)

