



100 Lamp Light Circle
 Summerville, SC 29483
 1-843-278-0000
 1-843-278-0001 Fax

ALINEA® ES

9024
 9036
 9048

CAUTION

READ BEFORE INSTALLING

- Read the instructions carefully. If you have any questions regarding the proper installation, or local electrical codes, consult a qualified electrician.
- Do not install outdoors or in applications other than intended use. Install in accordance with national, state, and local codes.
- This fixture should be protected by a ground fault circuit interrupter when installed in bathrooms or other damp locations.
- Turn electrical power off when installing and re-lamping this fixture.
- Mount fixtures only to surfaces that are mechanically sound. Use only the keyhole slots provided on the back of the fixture (Fig. 1). Do not use adhesives of any kind.
- For supply connections use wire rated for at least 75°C (167°F).
- Risk of fire: most dwellings built before 1985 have supply wire rated at 60°C. Consult a qualified electrician before installing.
- Clean with a vinegar based glass cleaner. Do not spray directly onto fixture.

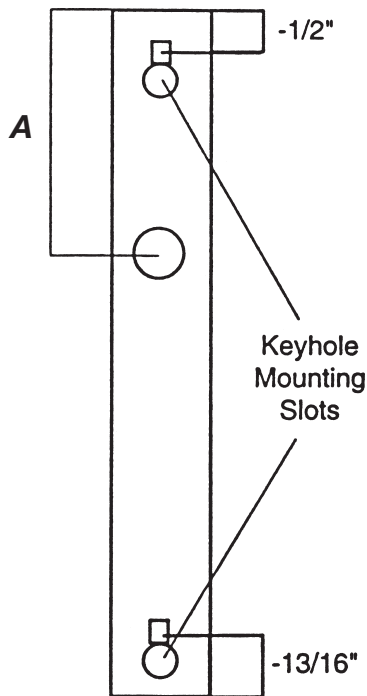


Fig. 1

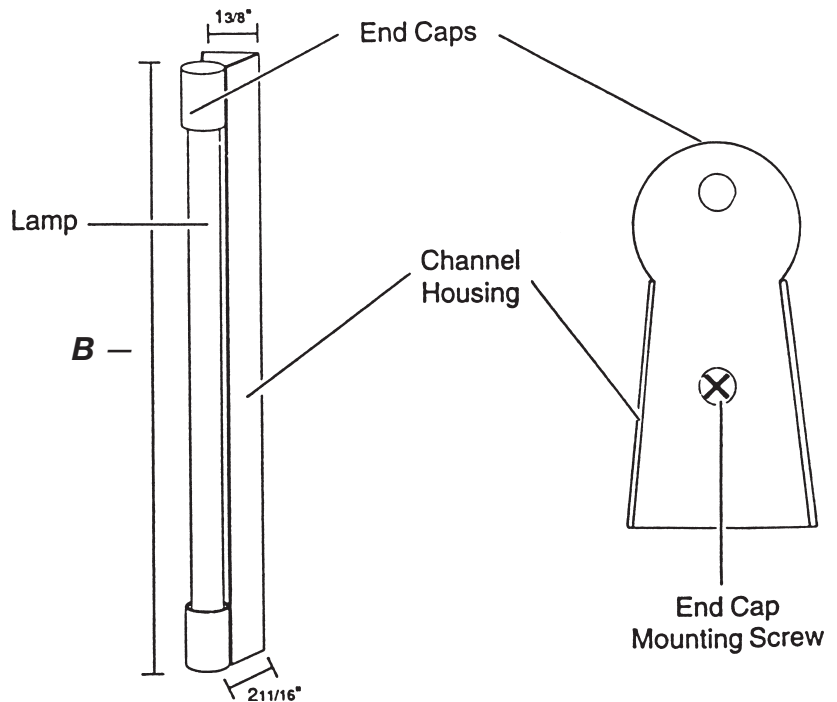


Fig. 2

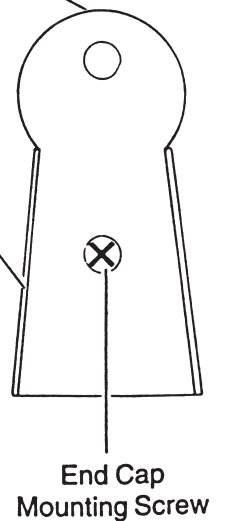
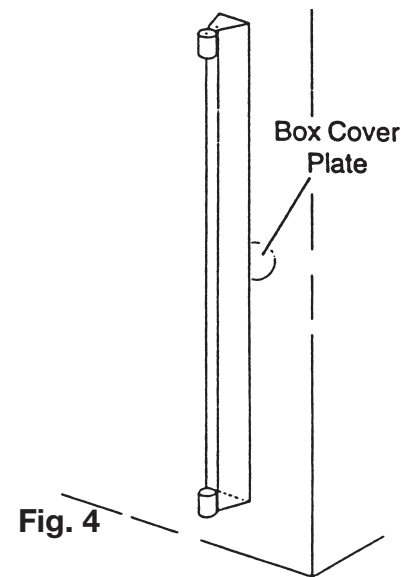


Fig. 3

Series	9024	9036	9048
A	14 1/2	18 1/8	23 3/8
B	24 1/8	36 1/8	48 1/8

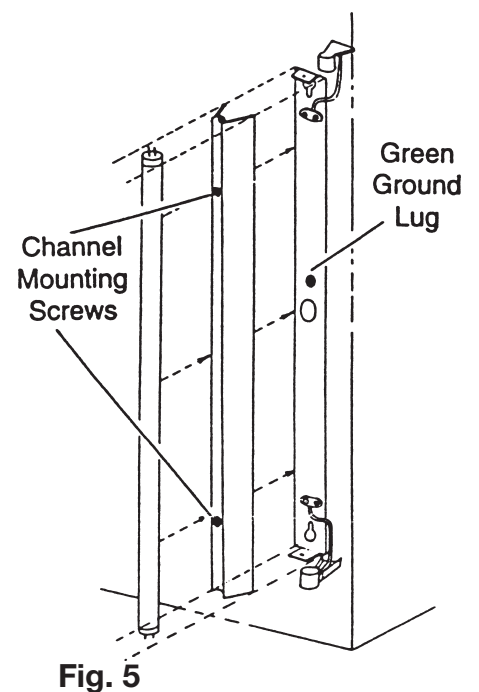
MOUNTING OVER AN ELECTRICAL BOX (FIG. 4)

1. Mark location of screws for keyhole slots (Fig. 1). Minimum screw size for mounting – #8 x 1-1/4".
2. Install 2 mounting screws. Do not tighten to surface. Leave heads approximately 1/16" from the surface.
3. Pass wires of fixture through a box cover plate, if used.
4. Connect supply wires to fixture wires.
NOTE: Fixture black is hot, fixture white is neutral, and fixture green is ground.
5. Tuck wires neatly in electrical box and attach box cover plate, not included.
6. Mount fixture by passing mounting screw heads through large opening in keyhole slots and then shifting down to lock screw in slot. If the fixture is loose, tighten screw 1/4 turn and repeat.



DIRECT WIRING

1. Take off end caps by removing end cap mounting screws (Fig. 3).
2. Take off channel housing by removing channel mounting screws (Fig. 5).
3. Attach romex or conduit to remaining backstrip and secure. Use supply wire rated for at least 75°C.
4. Secure backstrip to wall through the keyhole mounting slots.
5. Connect supply wires to fixture wires.
NOTE: Fixture black is hot, fixture white is neutral.
6. Remove green wire on fixture and attach supply ground to green ground lug.
7. Tie wires neatly and attach channel housing (Fig. 5).
8. Install only one end cap.



LAMPING (FIG. 6)

IMPORTANT: To determine which replacement lamp to use, read the lamp replacement label located in the channel housing. Use of the wrong lamp may result in fixture damage.

1. Turn power off.
2. Take off one end cap by removing end cap mounting screw (Fig. 3).
3. Insert one end of lamp into fixed end cap and push lamp pins into socket holes.
4. Place the remaining end cap over the lamp. Simultaneously insert end cap flange into fixture while inserting pins into socket.
5. Tighten end cap mounting screw.

