

# INSTALLATION INSTRUCTIONS

## ALINEA® LED Recessed Luminaire

AAMSCO LIGHTING, INC.  
100 Lamp Light Circle  
Summerville, SC 29483  
800-221-9092  
[www.aamsco.com](http://www.aamsco.com)

### CAUTION--READ THIS FIRST--IMPORTANT SAFETY INSTRUCTIONS

- Carefully read the instructions pertaining to this luminaire. If you have any questions regarding the proper installation or local codes, consult a qualified electrician.
- This luminaire is intended for connection to a grounded, 110V power supply.
- Injury to persons and damage to the luminaire and/or mounting surface may result if the luminaire is pulled from the surface. To reduce the likelihood of such injury or damage, mount only to a surface that is mechanically sound.
- To avoid shock hazard, do not work with live electrical wires.
- Install and wire the luminaire in locations in accordance with all national, State and local codes.
- This luminaire can be installed in both dry and damp locations and is to be used with compatible dimmers for optimum performance. Consult factory for dimmer list.



**WARNING: THIS PRODUCT MUST BE INSTALLED IN ACCORDANCE WITH THE APPLICABLE INSTALLATION CODE BY A PERSON FAMILIAR WITH THE CONSTRUCTION AND OPERATION OF THE PRODUCT AND THE HAZARDS INVOLVED.**



**WARNING: RISK OF FIRE. MINIMUM OF 90°C SUPPLY CONDUCTION. CONSULT A QUALIFIED ELECTRICIAN TO ENSURE CORRECT BRANCH CONDUCTOR.**



**WARNING: TO AVOID SHOCK HAZARD, DISCONNECT THE POWER AT THE CIRCUIT BREAKER BOX BEFORE BEGINNING INSTALLATION.**



# INSTALLATION INSTRUCTIONS

## ALINEA® LED Recessed Luminaire

AAMSCO LIGHTING, INC.

100 Lamp Light Circle

Summerville, SC 29483

800-221-9092

[www.aamsco.com](http://www.aamsco.com)

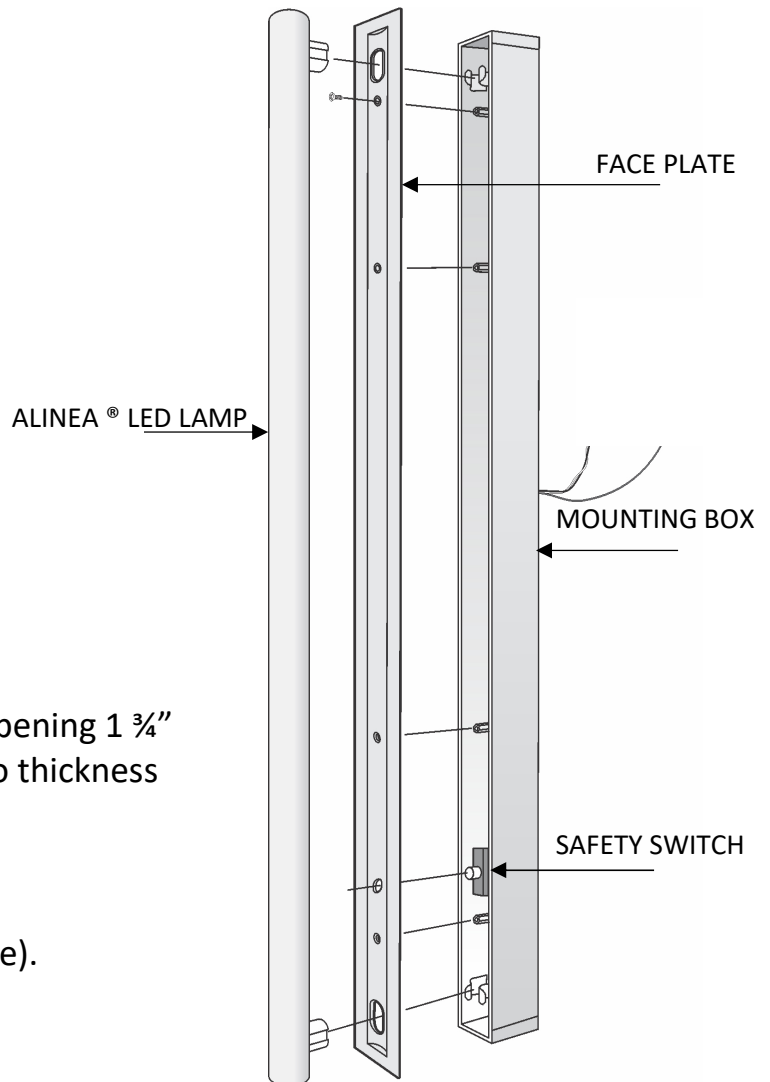
### A. CONFIRM ALL COMPONENTS RECEIVED

1. Mounting Box
2. Face Plate
3. Alinea® LED Lamp  
(mounting hardware not provided)

### B. INSTALLATION

1. Prepare mounting surface by cutting an opening  $1\frac{3}{4}$ " wide by  $39\frac{3}{4}$ " long. Depth is set according to thickness of drywall or surface material.
2. Remove face plate from mounting box by removing the 4 screws (retain for later use).

Note: The Alinea® luminaire requires a  $\frac{3}{8}$ " flexible, metallic conduit (FMC) for the building power. This should be pre-whipped within the wall or ceiling cavity where the luminaire is to be installed.



# INSTALLATION INSTRUCTIONS

## ALINEA® LED Recessed Luminaire

AAMSCO LIGHTING, INC.

100 Lamp Light Circle

Summerville, SC 29483

800-221-9092

[www.aamsco.com](http://www.aamsco.com)

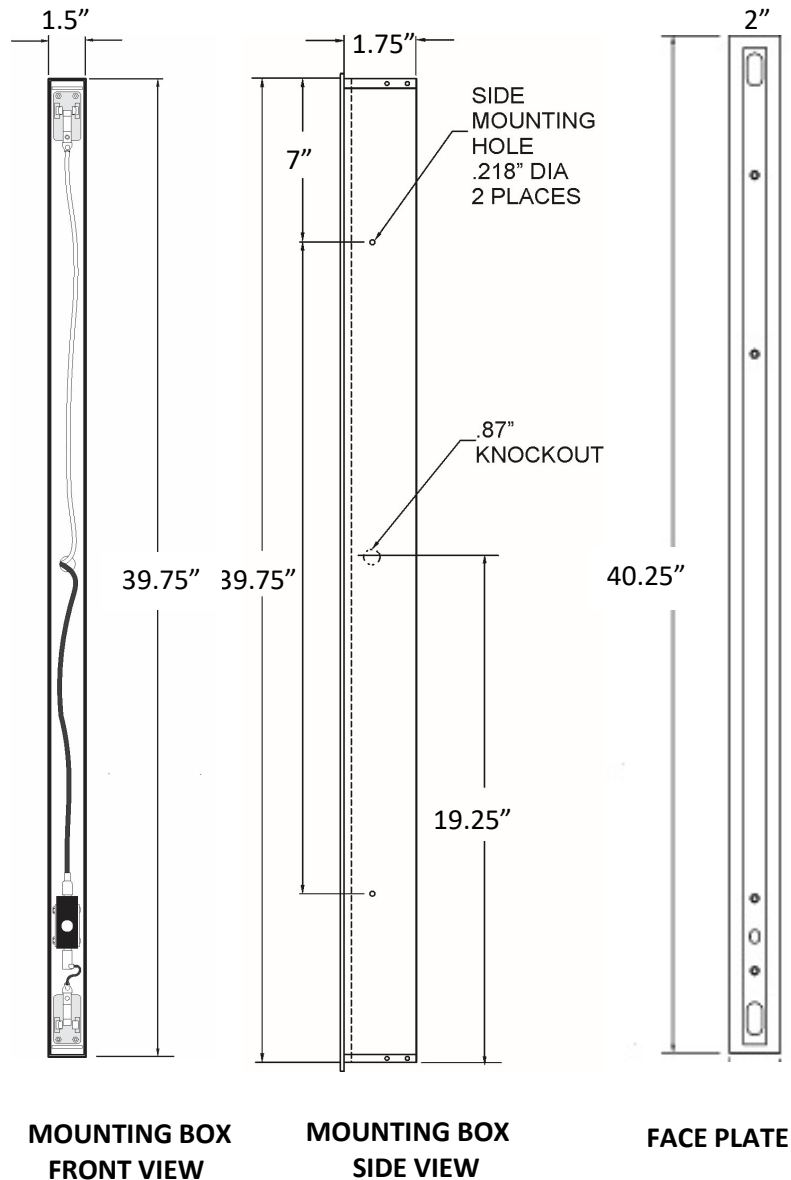
3. Insert box into the opening. Box should be flush with the mounting surface and safety switch should be at the front of the box at the bottom. Mounting holes are provided on both sides and back of box. Engage at least 2 mounting holes to secure box to surface.

4. Wiring is connected through the knockout hole provided. The luminaire should be protected by a ground fault circuit interrupter when installed in bathrooms or other damp locations.

5. Connect supply wires as follows: Supply black (hot) to luminaire black (hot); Supply white (common) to luminaire white (common); supply green (ground) to luminaire green (ground).

6. Using the 4 screws removed previously from Step 2, attach face plate to mounting box. Make sure the face plate is aligned with screw holes on mounting box.

7. Insert LED lamp.



Note: For damp locations, it is recommended that a bead of silicone be applied around the perimeter of the face plate to seal any gaps between the face plate and mounting box.



# INSTALLATION INSTRUCTIONS

## ALINEA® LED Recessed Luminaire

AAMSCO LIGHTING, INC.  
100 Lamp Light Circle  
Summerville, SC 29483  
800-221-9092  
[www.aamsco.com](http://www.aamsco.com)

### C. CLEANING INSTRUCTIONS

Clean with a dry cloth or with vinegar-based cleaner. Do not spray directly onto product.

### CUSTOMER SUPPORT

If you require additional information regarding this luminaire, we invite you to call us. Our business hours are:

Monday – Friday (except holidays): 8:00am to 5:00pm Eastern time.

Phone: 800-221-9092 Fax: 843-278-0001 Email: [info@aamsco.com](mailto:info@aamsco.com)

### REPLACEMENT PARTS

Contact Aamsco Lighting directly for information about replacement parts. When calling, be prepared to provide model number and date of manufacture of the luminaire. This information is indicated on labels on the product.

\*Please note that Aamsco Lighting, Inc. reserves the right to vary placement of inserts and mounting features to accommodate manufacturing tolerances. Specifications outlines are subject to +/- 1/8" variance.

The Alinea® LED S14S Linear tube was invented and designed by AAMSCO Lighting Inc. [Delaware] and is patented in both the European Union and in the United States of America. ALINEA® is a registered trademark of AAMSCO Lighting Inc. [Delaware], and the Alinea® LED tube is covered under U.S. Patent # D 672,083 S and E.U. Patent # 001973132-0001 We attach singular importance to our aforesaid intellectual property rights and action will be taken against any party who violates these rights. AAMSCO is not responsible for typographical errors. Accuracy of color is limited by the printing process of brochure. Data subject to change. All dimensions nominal, please consult factory for updates.

4/18

