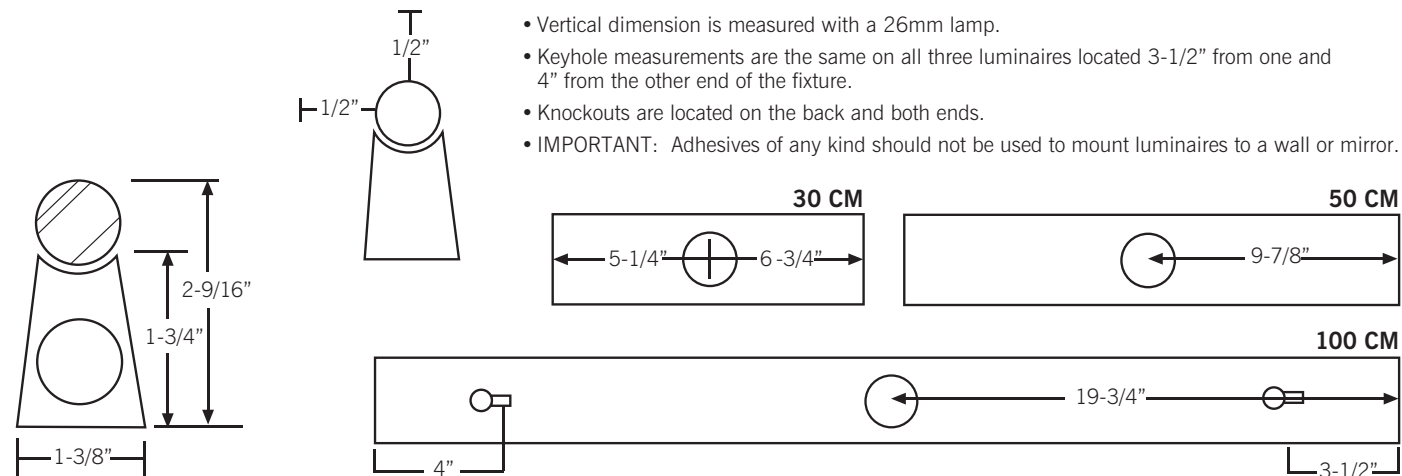


## LUMINAIRE ORDERING INFORMATION

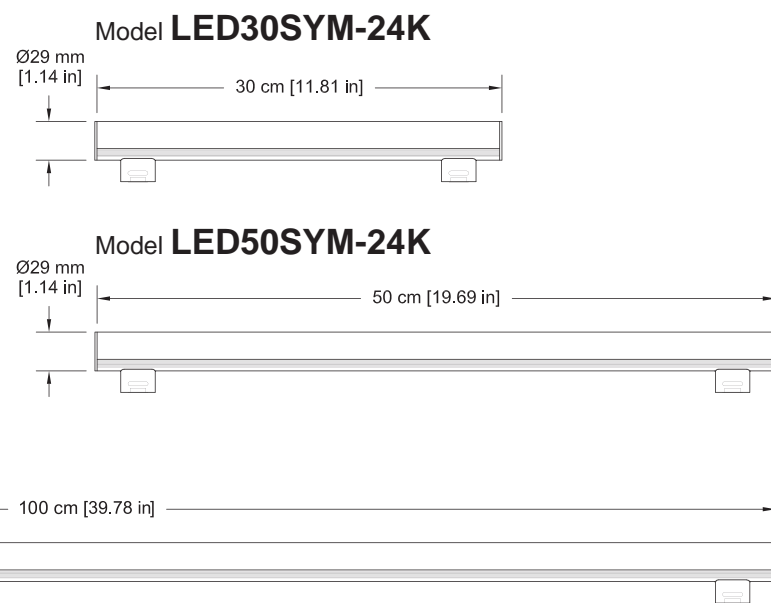
Alinea® LED lamp included

Luminaire Cat. No.	Description	Color/Finish	(Add to Catalog No.)
30CM	30CM Alinea (11.8 inches)	BE - Black Powder Coat	SN - Satin Nickel
50CM	50CM Alinea (19.68 inches)	WE - White powder Coat	PN - Polished Nickel
100CM	100CM Alinea (39.37 inches)	SS - Satin Silver	SC - Satin Chrome
(ordering code example: 30CM BE black finish including LED)		PC - Polished Chrome	



## LED ORDERING INFORMATION

Model	Volts	Watts	Lumens	Color Temp	Base
LED30SYM-24K	110-140V	5W	330	2400K	S14s
LED50SYM-24K	110-140V	7W	535	2400K	S14s
LED100SYM-24K	110-140V	11W	810	2400K	S14s



100 Lamp Light Circle • Summerville, SC 29483 • Toll Free: 1-800-221-9092 • Fax: 843-278-0001 • www.aamsco.com

The Alinea® LED S14S Linear tube was invented and designed by AAMSCO Lighting Inc. [Delaware] and is patented in both the European Union and in the United States of America. ALINEA® is a registered trademark of AAMSCO Lighting Inc. [Delaware], and the Alinea® LED tube is covered under U.S. Patent # D 672,083 S and E.U. Patent # 001973132-0001. We attach singular importance to our aforesaid intellectual property rights and action will be taken against any party who violates these rights.

AAMSCO is not responsible for typographical errors. Accuracy of color is limited by the printing process of brochure. Data subject to change. All dimensions nominal, please consult factory for updates.

# ALINEA®

## BEAUTIFUL LIGHT



Linear Wall Sconce  
 Now available with LED!

### AAMSCO LIGHTING, INC.

100 Lamp Light Circle • Summerville, SC 29483  
 Toll Free: 1-800-221-9092 • Fax: 843-278-0001  
 www.aamsco.com



# ALINEA®...

## ALINEA® LUMINAIRE

### The Beautiful Light!

Long used in the best European custom designs, Alinea® is an Art Deco concept brought to perfection by American engineering and proudly made in the USA. UL listed for damp locations.

### Soft and Flattering

Alinea® radiates a soft warm light. By enhancing the effect of pink, brown and yellow tones, Alinea® makes furnishings seem soft and cozy. Especially flattering to warm fleshtones, Alinea® seems to make everything in a room more radiant and beautiful.

### Unique End-to-End Mounting

For end-to-end mounting, only Alinea® offers a complete system.

Futuristic in design, Alinea® is perfect for accent lighting in commercial and residential buildings. Prefabricated end knockouts eliminate the need for drilling holes, saving extra contractor charges.

End knockouts mean no mess and no jagged edges that can cut or strip wires ... just continuous ribbons of warm light.

### Luminaires Available in 7

#### Decorator Finishes

- White Powder Coat
- Polished Nickel
- Black Powder Coat
- Satin Nickel
- Satin Brushed Silver
- Satin Chrome
- Polished Chrome

*Consult factory for custom finishes.*

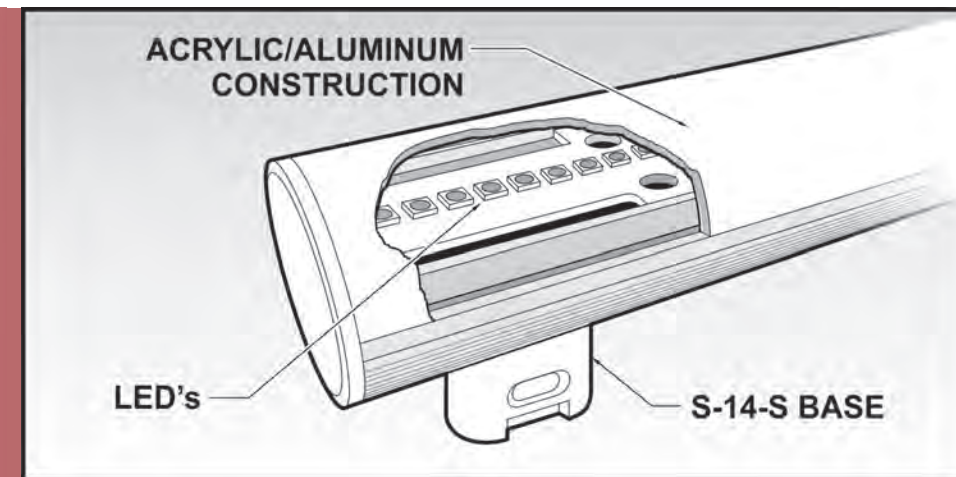
## ALINEA® LED

### Lamps Snap In, Snap Out

Alinea® LED lamps directly replace incandescent versions without modification, which facilitates end-to-end mounting and easy replacement.

Working off standard 100-140v line voltage, Alinea® LED needs no transformer or ballast (240- & 277-volt available, consult factory).

Alinea® LED is available in standard color temperatures of 2400K,\* CRI >80 with an estimated average life of 25,000 hours, versus the 1,000 hour incandescent lamp it replaces.



## Alinea® Opalescent Light Source

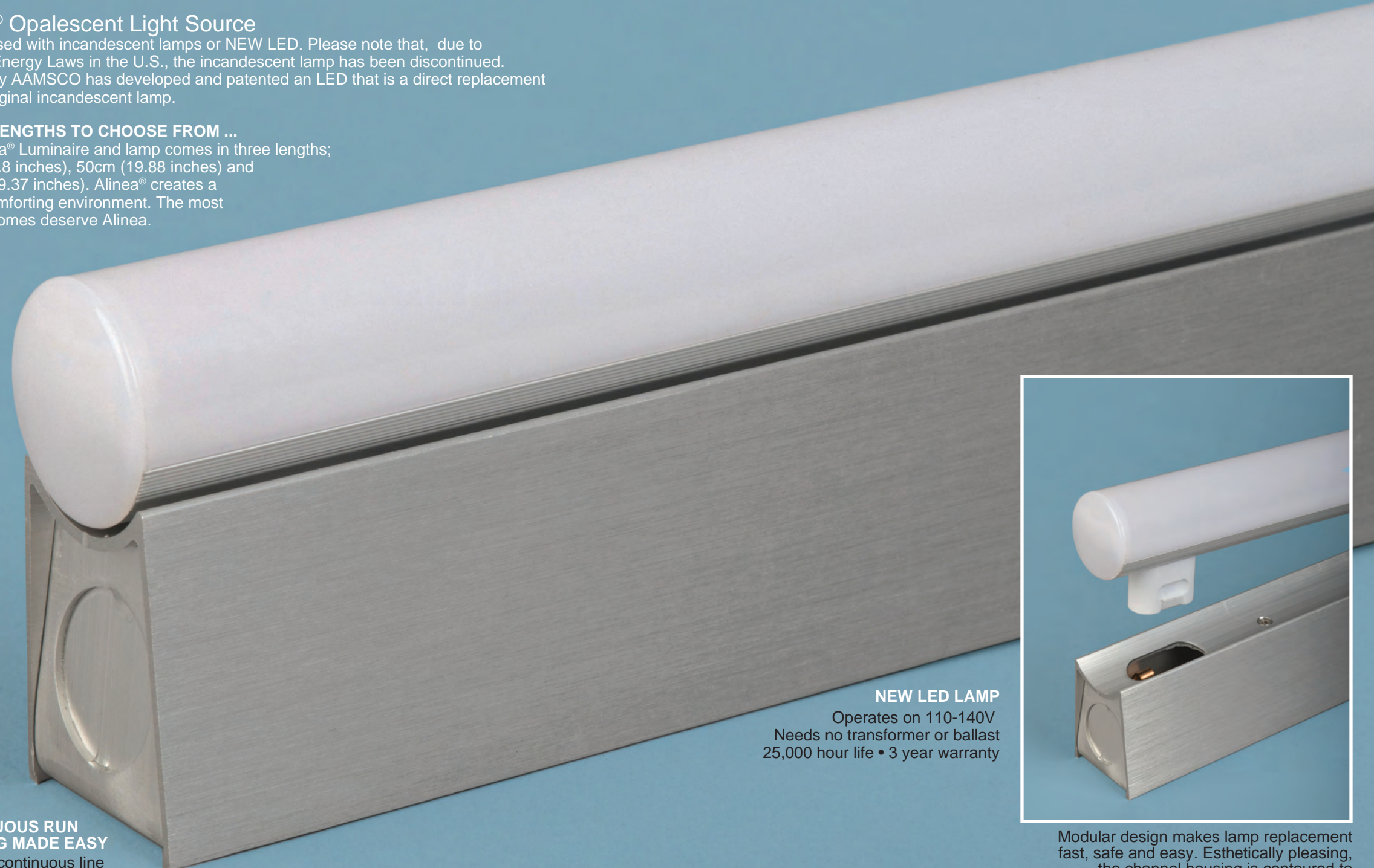
Can be used with incandescent lamps or NEW LED. Please note that, due to the new Energy Laws in the U.S., the incandescent lamp has been discontinued. That's why AAMSCO has developed and patented an LED that is a direct replacement for the original incandescent lamp.

### THREE LENGTHS TO CHOOSE FROM ...

The Alinea® Luminaire and lamp comes in three lengths; 30cm (11.8 inches), 50cm (19.88 inches) and 100cm (39.37 inches). Alinea® creates a warm, comforting environment. The most elegant homes deserve Alinea.

### CONTINUOUS RUN LIGHTING MADE EASY

Create a continuous line of light by mounting Alinea's end-to-end. Series wiring is not recommended.



**NEW LED LAMP**  
Operates on 110-140V  
Needs no transformer or ballast  
25,000 hour life • 3 year warranty



Modular design makes lamp replacement fast, safe and easy. Esthetically pleasing, the channel housing is contoured to surround the lamp.