

MIRROR-LUX[®] ASSIST

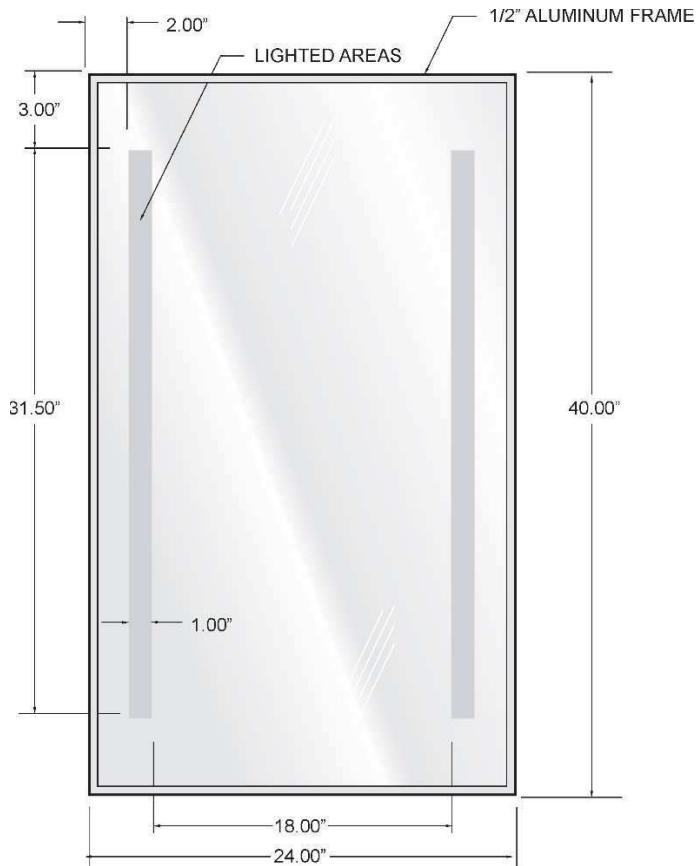
MEDICINE CHEST



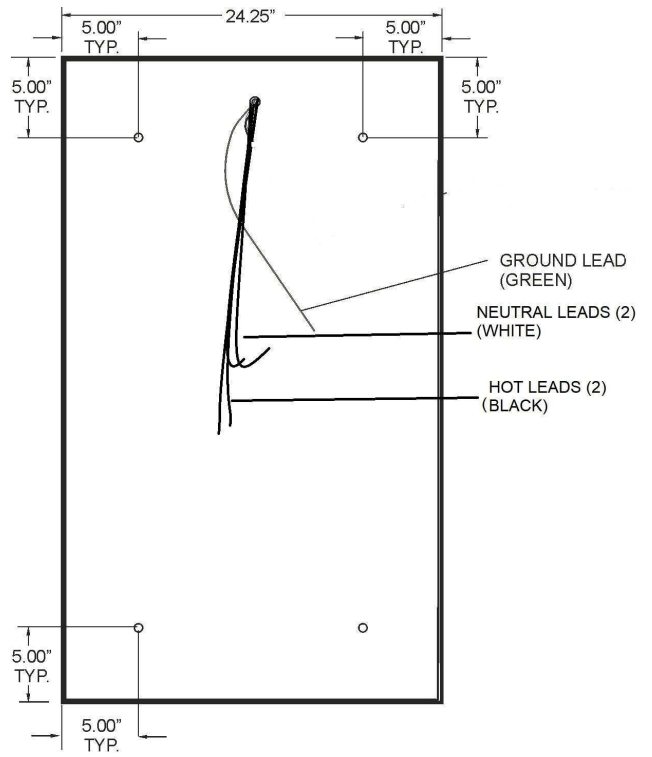
Introducing the Mirror-Lux[®] ASSIST Medicine chest, the latest addition to Aamsco Lighting's collection of energy saving bath & vanity luminaires. Designed to meet the requirements of the Americans with Disabilities Act, this uniquely designed, LED illuminated medicine chest allows the user to lower the interior shelving down to a comfortable level. This beautiful and functional design will compliment any residential or assisted living facility. Available in both straight and angled configurations. (Angled version shown)

Residential – Hospitality – Custom
www.aamsco.com

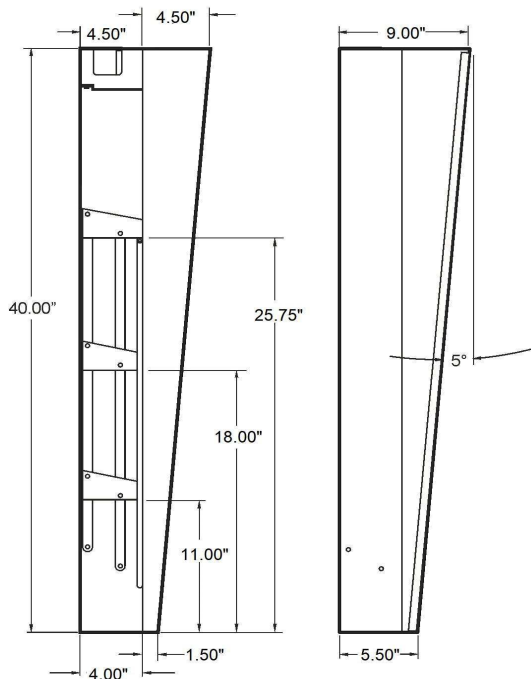




FRONT VIEW



REAR VIEW



SIDE VIEW

TECHNICAL SPECIFICATIONS

Model No. MLCA-2440

Exterior light-dimmable 0-10V

Watts	Lumens	Color Temp	CRI
25W	1792lm	3000K	95

Interior light

Watts	Lumens	Color Temp	CRI
8W	230lm	3000K	95

Rated IP65



**100 LAMP LIGHT CIRCLE
SUMMERVILLE, SC 29483**

www.aamsco.com

800-221-9092

5/19