

# **MIRROR-LUX<sup>®</sup> ASSIST**

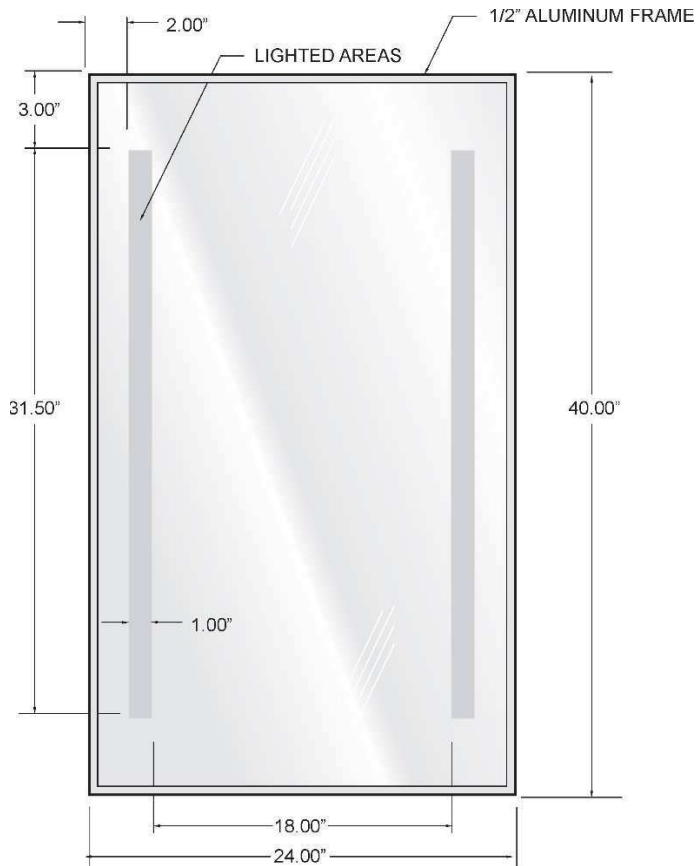
## **MEDICINE CHEST**



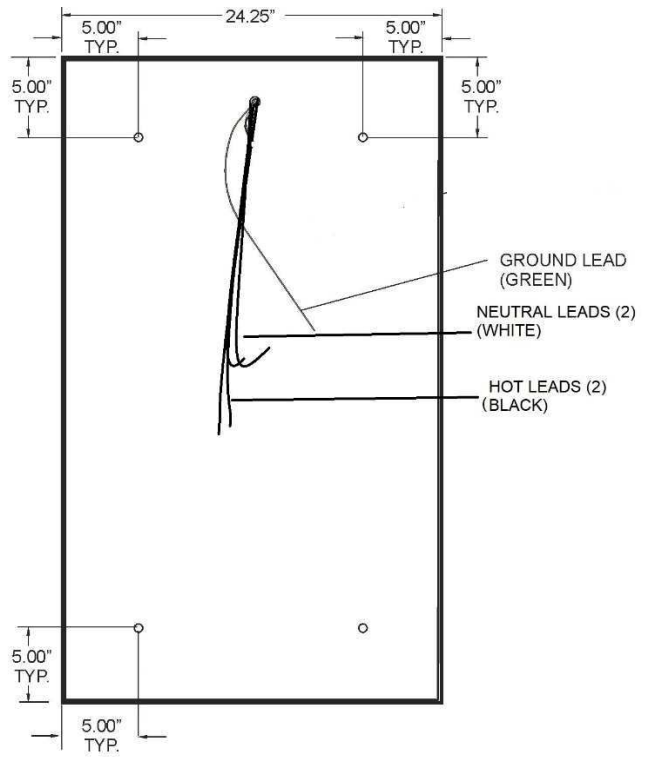
Introducing the Mirror-Lux<sup>®</sup> ASSIST Medicine chest, the latest addition to Aamsco Lighting's collection of energy saving bath & vanity luminaires. Designed to meet the requirements of the Americans with Disabilities Act, this uniquely designed, LED illuminated medicine chest allows the user to lower the interior shelving down to a comfortable level. This beautiful and functional design will compliment any residential or assisted living facility. Available in both straight and angled configurations. (Angled version shown)

Residential – Hospitality – Custom  
[www.aamsco.com](http://www.aamsco.com)

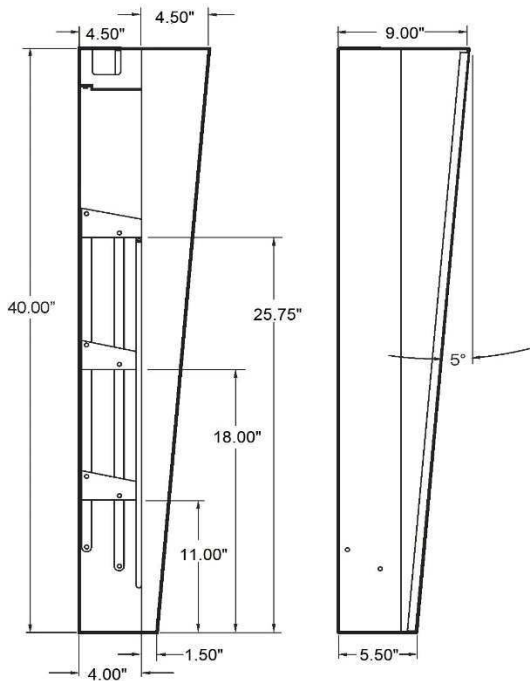




**FRONT VIEW**



**REAR VIEW**



**SIDE VIEW**

**TECHNICAL SPECIFICATIONS**  
**Model No. MLWCA-2440**

**Exterior light-dimmable 0-10V**

Watts	Lumens	Color Temp	CRI
25W	1792lm	3000K	95

**Interior light**

Watts	Lumens	Color Temp	CRI
8W	230lm	3000K	95

**Rated IP65**



**100 LAMP LIGHT CIRCLE**  
**SUMMERVILLE, SC 29483**

[www.aamsco.com](http://www.aamsco.com)

**800-221-9092**

**6/19**