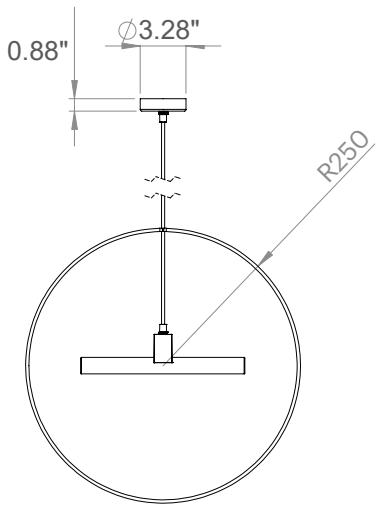


compass

s14d



| | |
|-------------------|----------------------------|
| design | RLON |
| materials | powder coated steel, glass |
| color | black |
| socket | s14d |
| cable length | 9.84' |
| lamp included | yes |
| s14d LED lamp | 7W-350lm-2400K |
| dimnable | yes |
| dimmer | not included |
| width | 19.8" |
| height | 19.8" |
| depth | 1.18" |
| operation voltage | 120 |
| protection type | IP20 |
| energy efficiency | B |

variations



S14d LED lamp
clear
11.81"



S14d LED lamp
opal
11.81"



light track adapter
MOQ 20pcs