



Newton Pendant

The Newton pendant offers a unique, decorative flexibility that utilizes a moveable rope & pulley system.

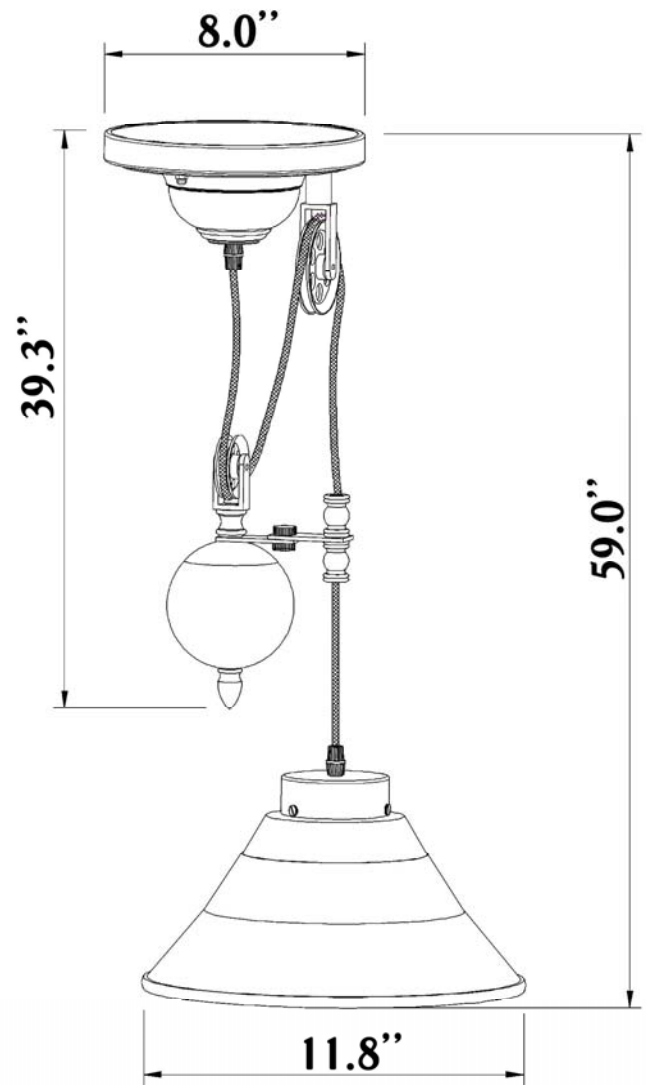
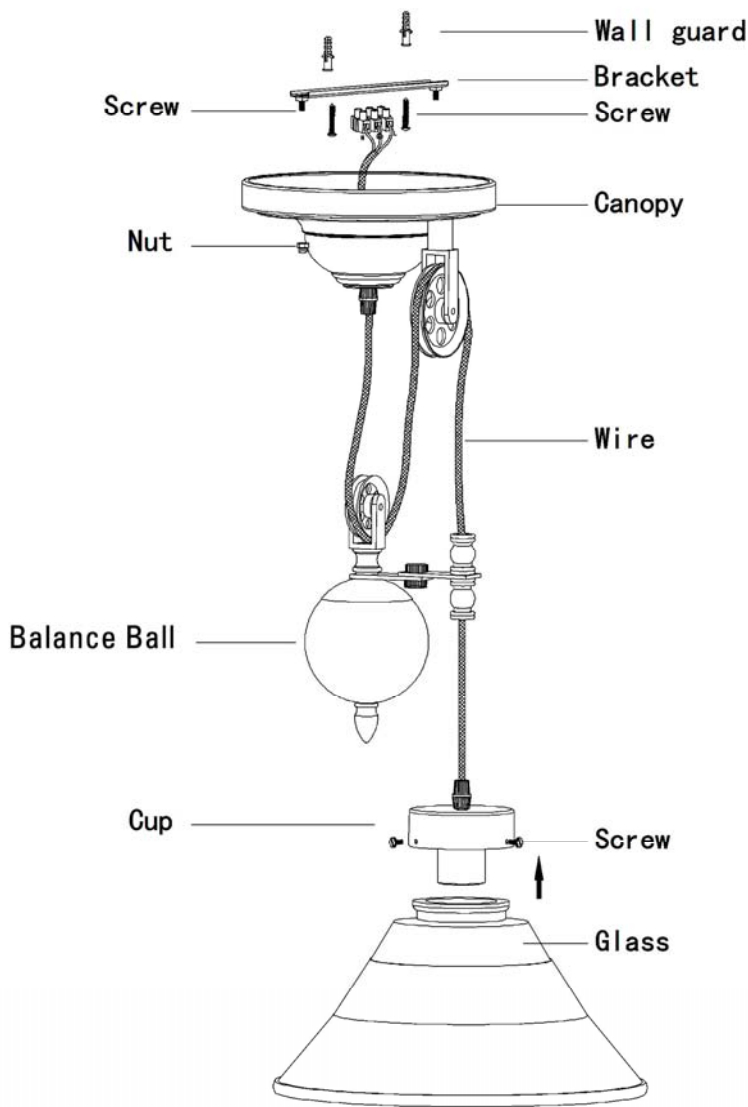
The faceted glass shade adds instant sophistication & style.

This unusual design creates a balanced environment between form and function.



100 Lamp Light Circle, Summerville, SC 29483
Tel: (843) 278-0000 · Fax: (843) 278-0001
www.Ferrowatt.com

Ferrowatt is a registered Trademark of Aamsco Lighting, Inc.



STANDARD SPECIFICATIONS

Voltage: 120V

Lamping: 40W max. medium screw base. Best when used with a Ferrowatt Antique Lamp.

Mounting: To be affixed to a standard 4" J box or smaller.

UL Listing: For dry locations. **Color:** Gunmetal

IMPORTANT SAFETY INSTRUCTIONS

RECOMMEND INSTALLATION BY A LICENSED ELECTRICIAN.

To avoid the risk of fire, do not exceed the recommended wattage.

WARNING: All wires are connected. When unpacking, be careful not to pull wires as a bad connection may result. Do not connect electricity until your lamp is fully assembled. To reduce the risk of fire, electrical shock, or personal injury, always turn off lamp and allow it to cool prior to replacing light bulb. Do not touch bulb when fixture is turned on or look directly at the bulb. Keep flammable materials away.



100 Lamp Light Circle, Summerville, SC 29483

Tel: 843.278.0000 • Fax: 843.278.0001 • www.ferrowatt.com